

FONTANA LIMA TOUCH BUTTON THERMOSTATIC 3-WAY CONCEALED BRASS SHOWER MIXER



PRIOR TO INSTALLATION

Please read installation instructions below. All plumbing should be installed in accordance with applicable building codes and regulations.

Unpack and inspect the items for any shipping damages. If you find damages, do not install.

All products must be installed by a professional and certified plumber otherwise warranty may be voided.

POSSIBLE TOOLS REQUIRED*



Plumbers Tape



Tape Measure



Level



Adjustable Wrench



Hex Wrench



Thread Sealant



Drill



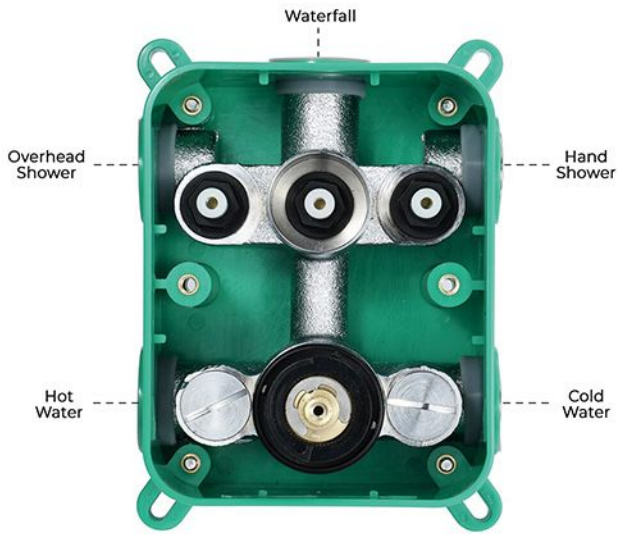
Pencil or Marker



Screwdriver

*not included

Components and Features



Overhead Shower



Hand Shower



Waterfall

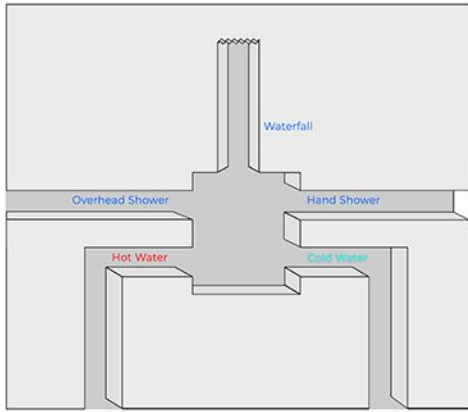


Hot Water



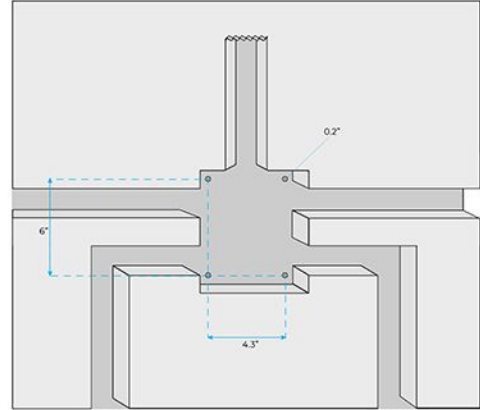
Thermostatic Mixer Installation Instructions

Step 1



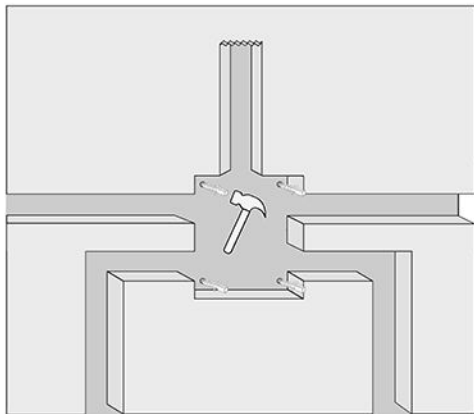
According to the basic picture of the product, refer to the above picture, open the wall to dig the main body embedded port, the hot and cold water inlet, and the mixed water outlet.

Step 2



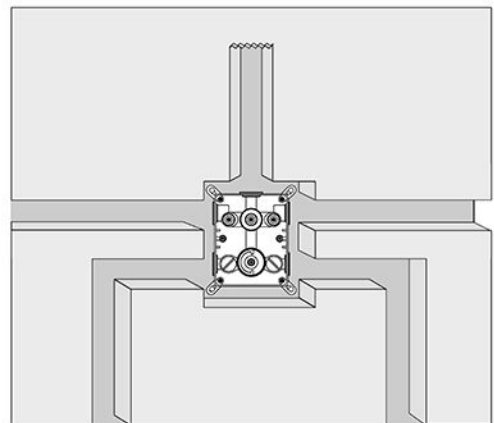
Drill 5 6mm(0.2") holes with impact drill according to product size.

Step 3



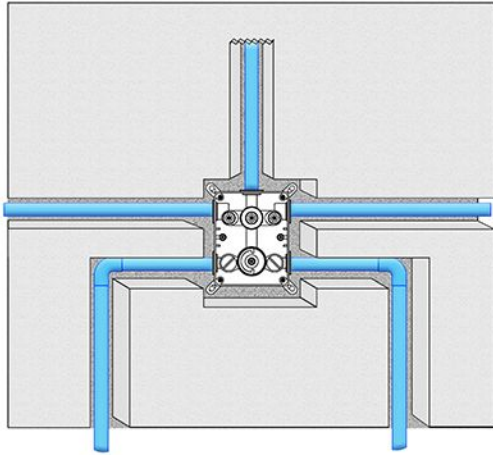
Use a hammer to break four expanded capsules into the drilled holes.

Step 4



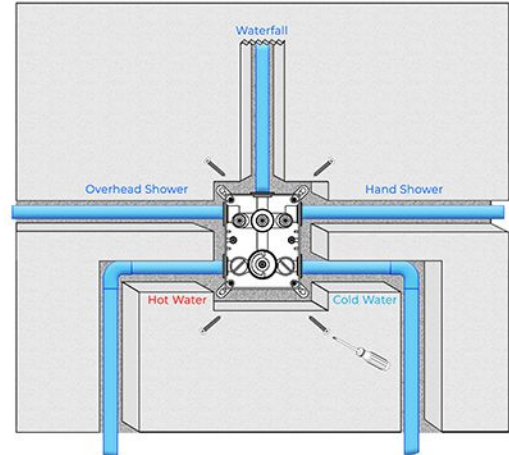
Connect each takeover, then connect the water source to confirm that there is no leakage.

Step 5



Adjust the embedded body to the horizontal line, and fix the embedded body on the wall with a cross screwdriver to lock the 4 self-tapping screws. Seal the pipeline with cement filler.

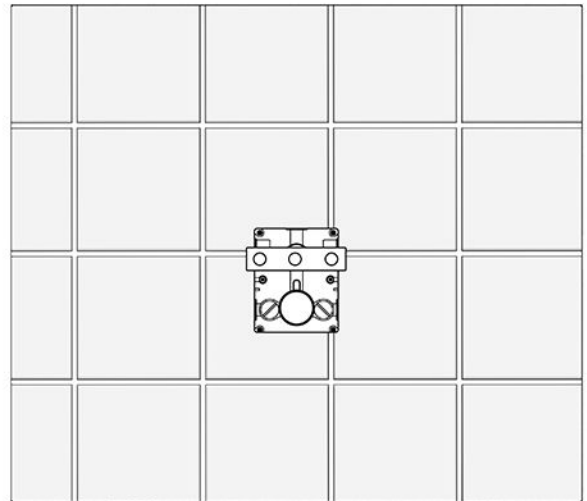
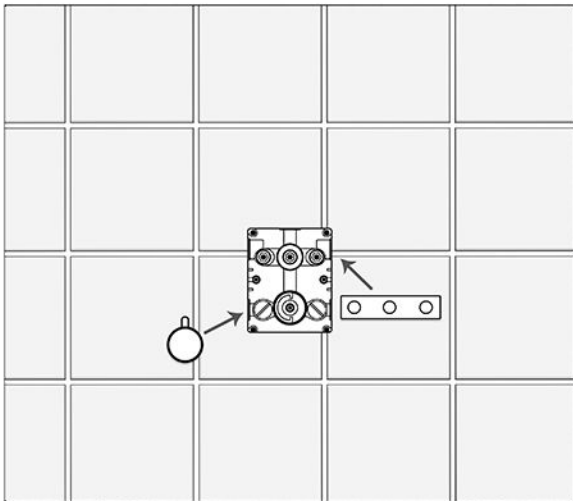
Step 6



Loosen the two M5 screws on the sheath counter-clockwise with a cross screwdriver and remove the sheath.

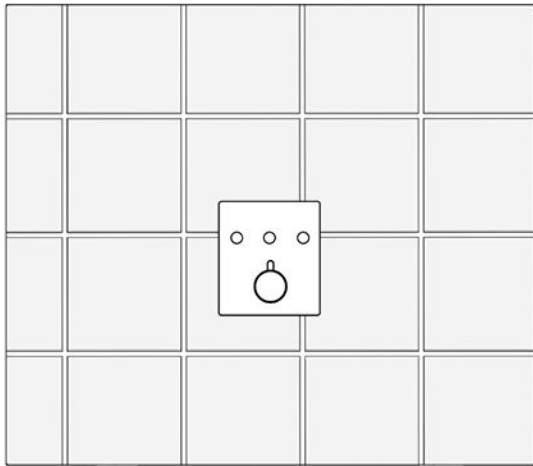
First, remove the color button of the constant temperature handwheel, loosen the main handwheel in the counterclockwise direction with the 2.5mm hex plate, and remove it. When taking out the constant temperature handwheel, do not turn the constant temperature handwheel to ensure that the constant temperature handwheel button is aligned with the 38-degree dial line on the panel.

Steps 7&8&9



Tighten the three long poles on the key-value core, flatten the wall on the set, and cut off the extra parts with a cutting machine or blade to extend the positioning plate plane of the long rod. Then go to the positioning board and press the icon. Positioning board. Long pole. The excess part of the long bar. Tight on the wall.

Step 10



Balance the panel on the main body. Put the accessories of the constant temperature handwheel in the opposite direction of the unloading on the main body, (pay attention to the constant temperature handwheel installation to ensure that the valve core does not turn, the button direction is aligned with the direction of the outlet pipe.)

Size and Dimensions

